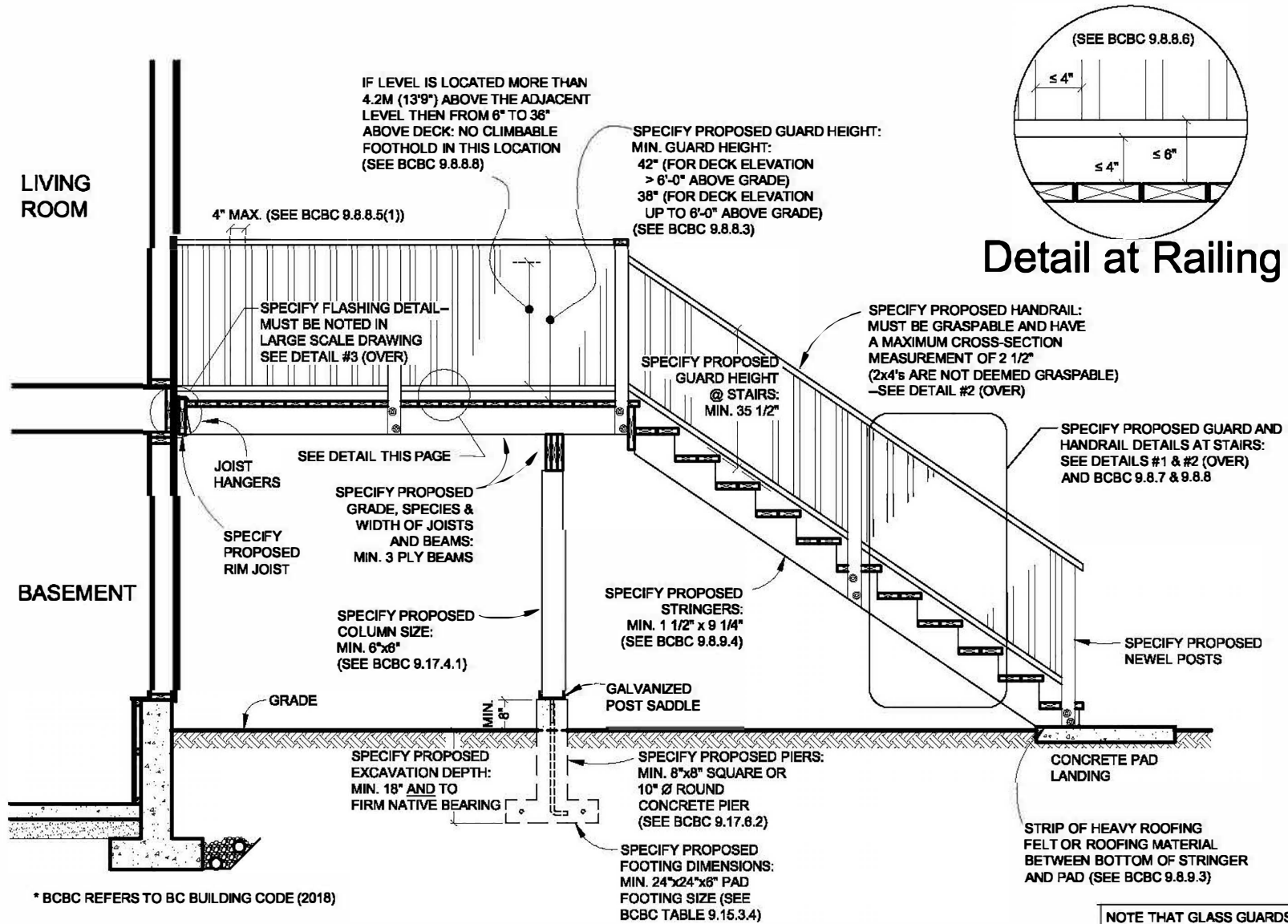


Sample Residential Deck Design and Plan Requirements for the City of Castlegar

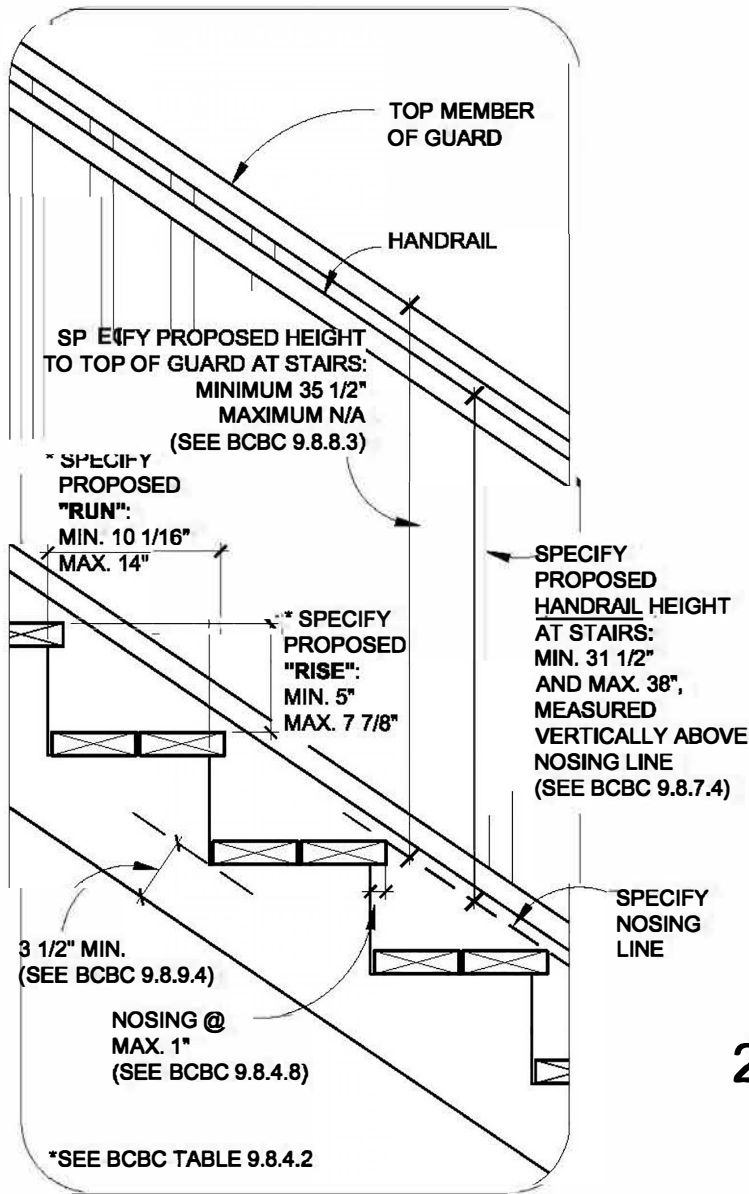
B.C.B.C. 2018



NOTE THAT GLASS GUARDS WITHOUT A TOP RAIL ARE TO BE DESIGNED BY A P. ENG AND BE ACCOMPANIED BY A SCHEDULE B

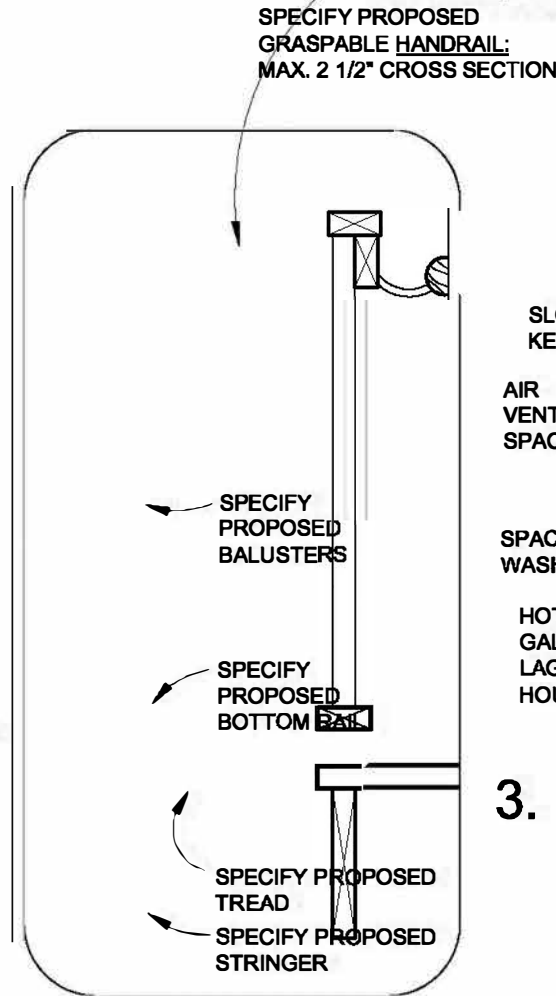
Sample Residential Deck Design and Plan Requirements for the City of Castlegar Details

B.C.B.C. 2018

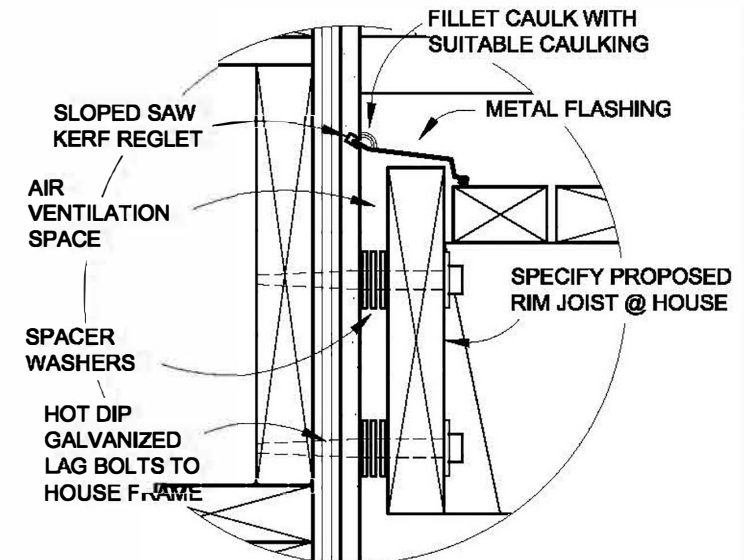


1. Sample Stair & Stringer Detail

(*BC BUILDING CODE 2018)



2. Sample Guard & Handrail Section at Stairs



3. Sample Flashing Detail at Intersection of Deck and Existing House